



T40-ISO / A40-ISO

GETS THE JOB DONE

**FULL
THERMAL
BREAK**

20001

T40-ISO / A40-ISO

T40-ISO

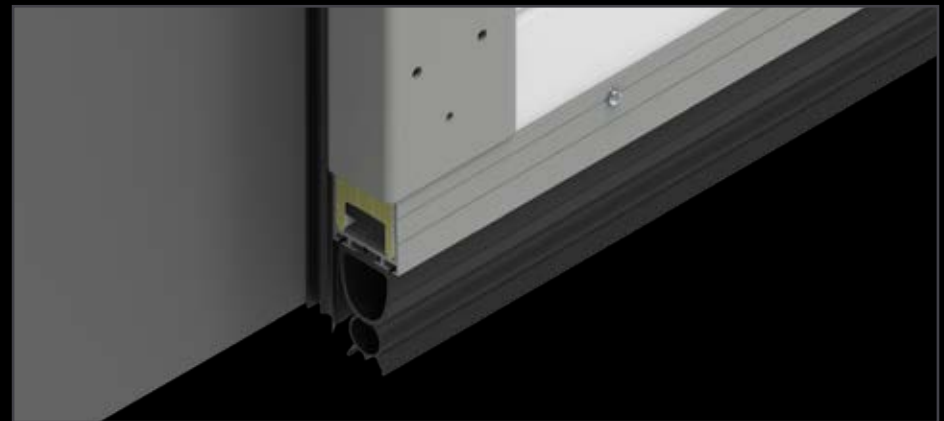
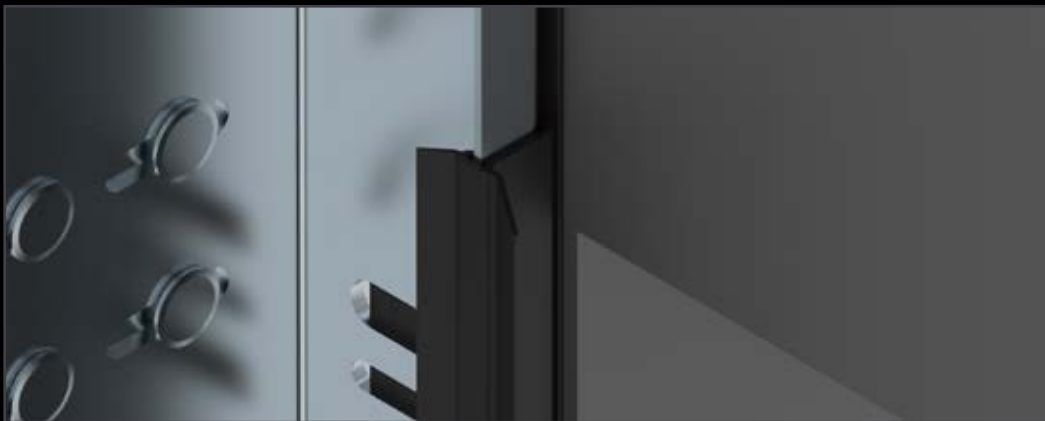
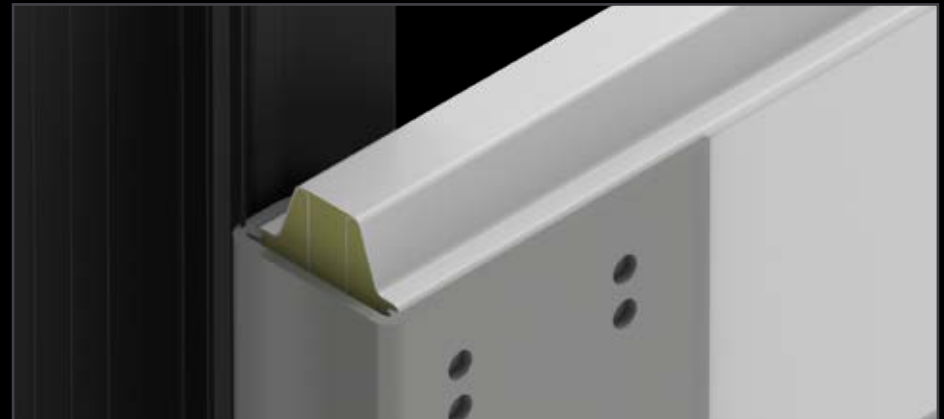
A highly insulating 40 mm overhead door, equipped with

- PVC end caps,
- PVC top and bottom profiles,
- double side seal,
- track insulator.

This produces a thermal break , providing optimum thermal insulation. For example, the U-value of the T40-ISO is 25% better than that of the standard T40. The T40-ISO is a product with an optimum price-performance ratio.

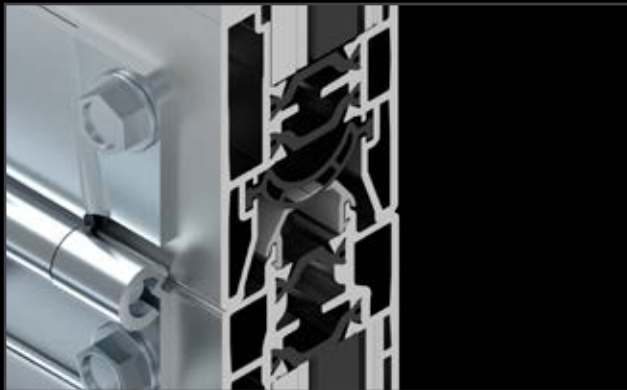
A40-ISO

Highly insulating glazed A40-ISO sections are easy to combine with the T40-ISO for more light in your building. Depending on the required light output, you can add one or more sections. These glazed sections have a full thermal break, providing maximum insulation. AND: Condensation has no chance!

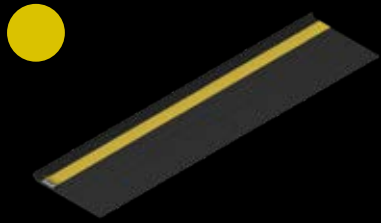


INSULATION VALUES

door size mm		fully closed	1xA40/A80 section per door	2xA40/A80 section per door	3xA40/A80 section per door	4xA40/A80 section per door		
3000x3000	S40	1,45	2,95	2,60	3,05	3,60	U-value W/m ² K	on the basis of 2x acrylic glazing
	T40 ISO	0,95	1,30	1,80	2,25	2,70	U-value W/m ² K	on the basis of 2x acrylic glazing
	S80	0,60	0,90	1,20	1,50	1,90	U-value W/m ² K	on the basis of 4x acrylic glazing
4000x4000	S40	1,35	1,80	2,15	2,45	2,85	U-value W/m ² K	on the basis of 2x acrylic glazing
	T40 ISO	0,85	1,15	1,40	1,70	2,05	U-value W/m ² K	on the basis of 2x acrylic glazing
	S80	0,50	0,75	0,95	1,15	1,35	U-value W/m ² K	on the basis of 4x acrylic glazing
5000x5000	S40	1,30	1,70	2,00	2,35	2,65	U-value W/m ² K	on the basis of 2x acrylic glazing
	T40 ISO	0,80	1,05	1,30	1,50	1,75	U-value W/m ² K	on the basis of 2x acrylic glazing
	S80	0,45	0,65	0,85	1,00	1,15	U-value W/m ² K	on the basis of 4x acrylic glazing



T40-ISO COMPONENTS



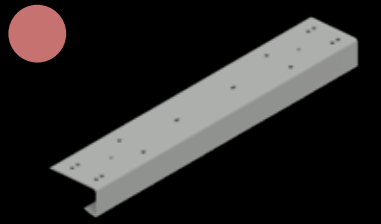
9607
Track insulator



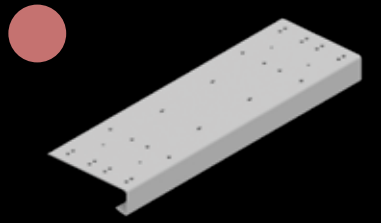
9611
Integrated PVC
bottom profile



9640 PVC top/bottom
profile

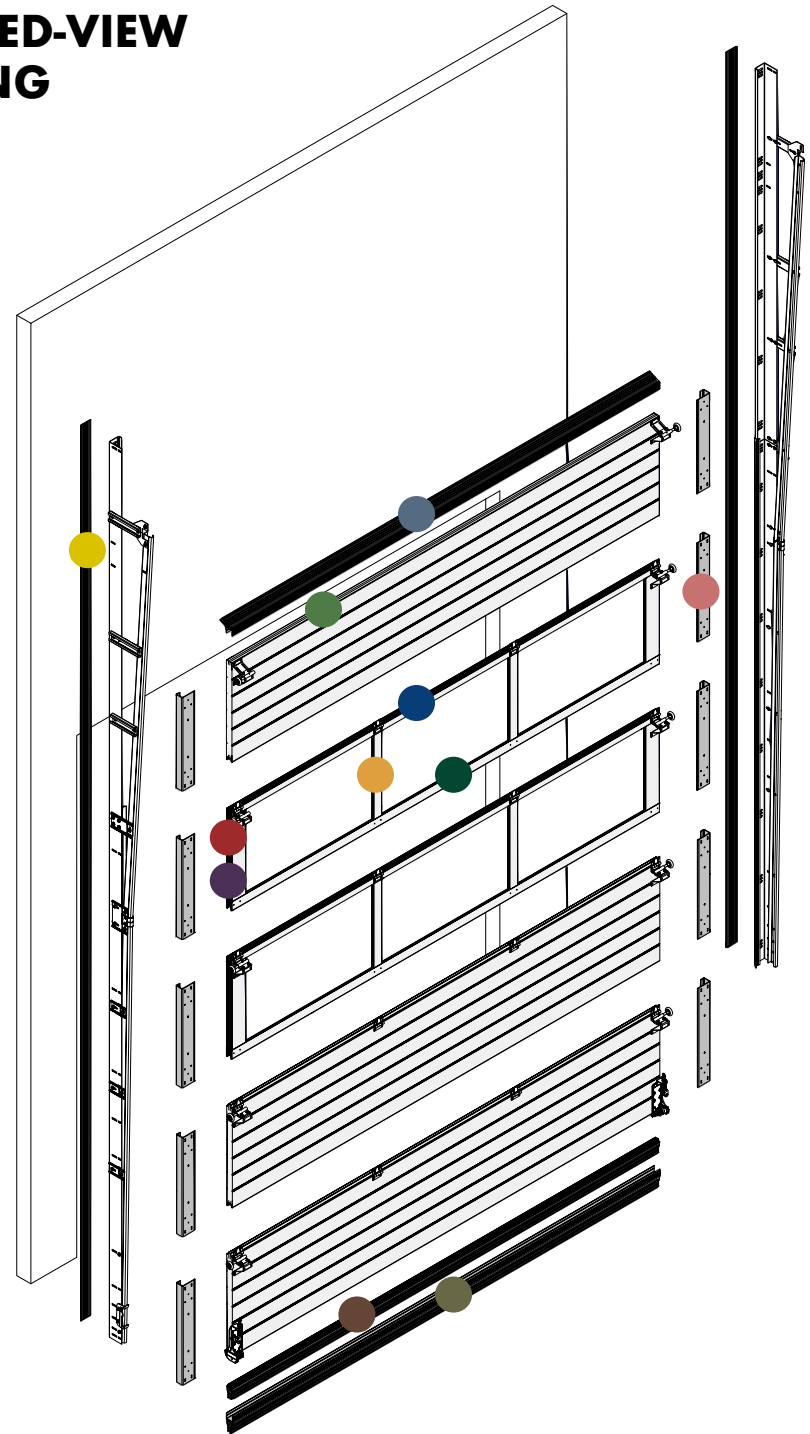


9615 (485 mm)
9616 (607 mm)
Single PVC endcaps

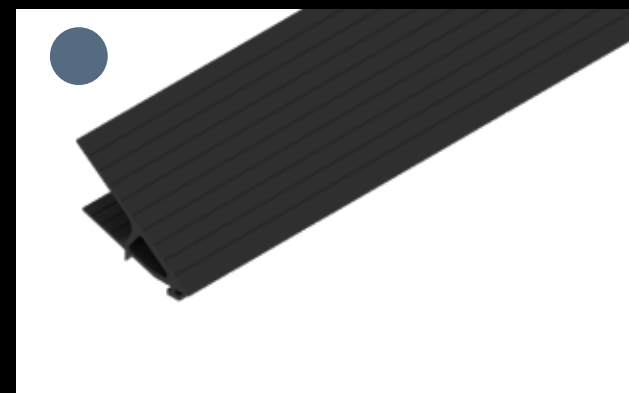
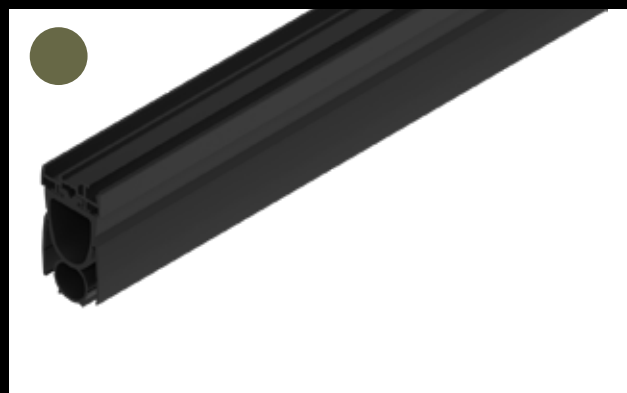
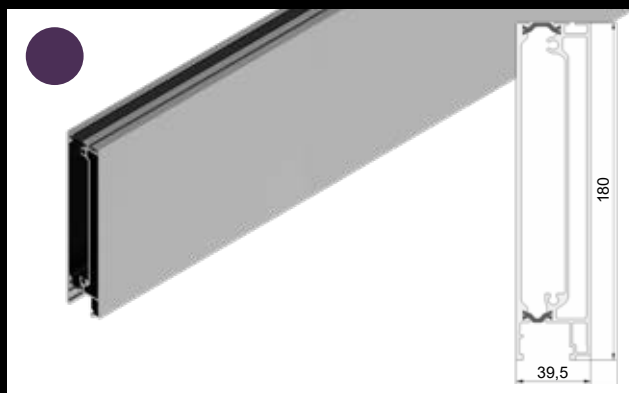
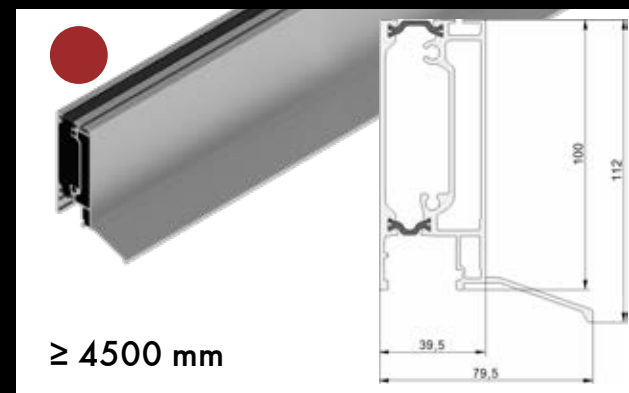
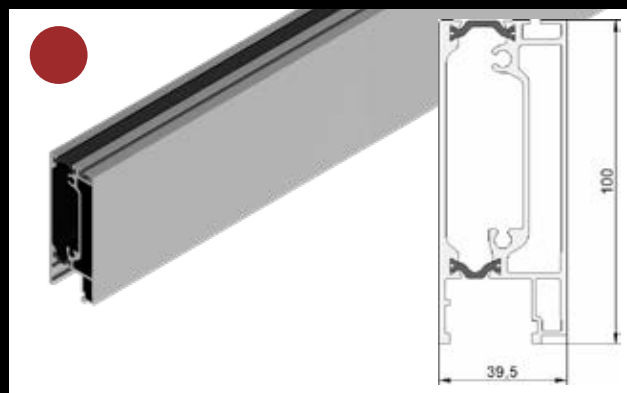
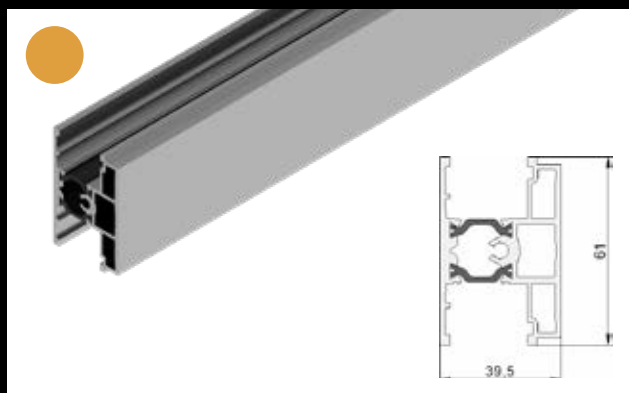
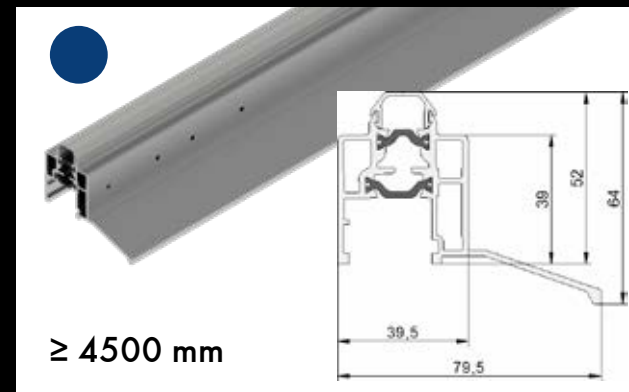
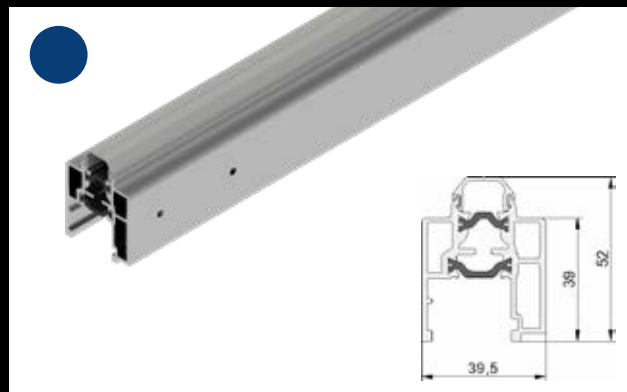
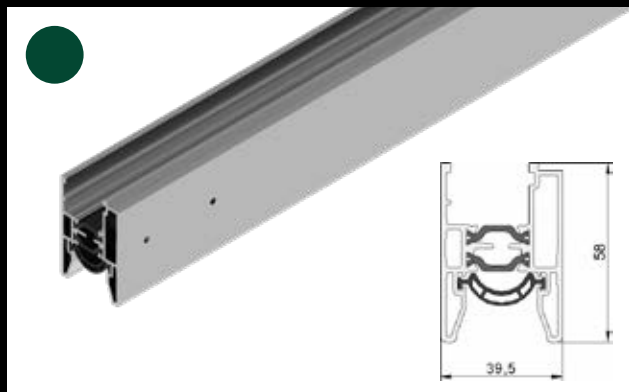


≥ 5000 mm
9616 (485 mm)
9618 (607 mm)
Double PVC endcaps

EXPLODED-VIEW DRAWING



A40-ISO COMPONENTS



T40-ISO SPECIFICATIONS

- Industrial panel without finger protection
- Thermal break
- Outside Stucco with horizontal lines
- Inside Stucco with horizontal lines: RAL 9002
- Standard available in RAL 6009, 7016, 9002, 9006, 9007 and 9010. Optional painted in RAL colour of your choice.

Thickness	40 mm
Paint coat outer sheet	25-µm (EN 13523-1)
Standard quality	EN 10346
Impact-resistance test	18 J (EN 13523-5)
Polyurethane core - flammability class	B3/DIN 4102
Sound-insulation value of the panel	28 dB
Corrosion resistance with salt spray test	360 hours (EN 13523-26)

Corrosion-resistance class	RC2
Moisture resistance	>1000 hours (EN 13523-26)
UV-resistance test	QUV (UVA+H2O) (2000 uur) E≤5; G.R. ≤30%
UV-resistance class	RUV2
Fire performance class	A1 (EN 13501-1)
CrVI-free	RoHS 2011/65/EU

DOOR LEAF IMPLEMENTATION

Single endcaps + side hinge
(up to 4999 mm)



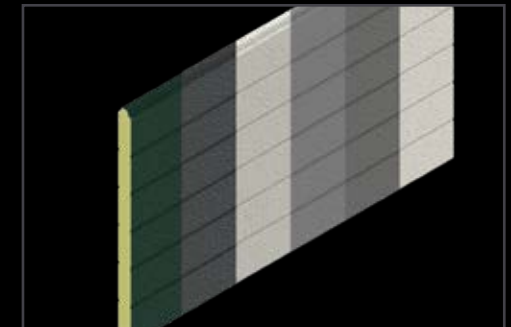
Double endcaps + side hinges
(from 5000 mm)



Double endcaps + side hinges with 75 mm reinforcement
(from 6000 mm)



Standard colours



A40-ISO SPECIFICATIONS

- 40 mm A40 section with thermal break, without finger protection
- Standard, anodised aluminium
- Optional coated in colour with Premium powder coating

Thickness	40 mm
Height	Variable from a minimum height of 500 mm to a maximum height of 700 mm
Maximale dagmaatbreedte	9000 mm
Filling	All 21 mm fillings possible
Glazing bead	Standard version without glazing bead; for quiet running, improved burglar resistance and a more beautiful finished look.

PREMIUM POWDER COATING



APPROVED
COATER

PREMIUM

AL 631-5 CERTIFIED

SEA PROOF

ALUMINIUM

IGP

APPROVED
APPLICATOR

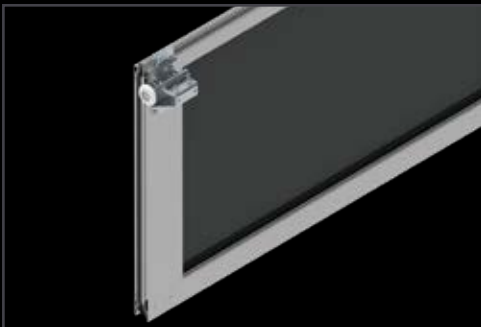
IGP-POWDER
COATING SYSTEMS



STEEL

DOOR LEAF IMPLEMENTATION

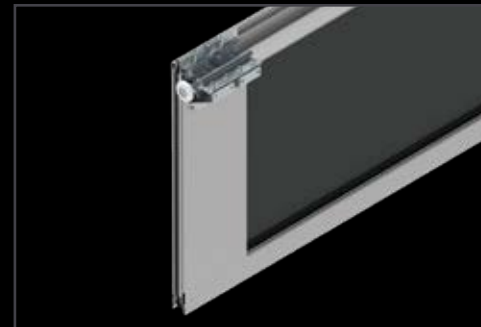
Single side profiles + hinge
(up to 4999 mm)



Single side profile + hinge with vin
reinforcement (from 4500 mm)



Double side profile + hinges with vin
reinforcement (from 5000 mm)



Double side profile + hinges with vin
and AR reinforcement (from 6000 mm)



FULL OPTIONS

The T40-ISO and the A40-ISO overhead doors are available with all the options. For example windows, locks and wicket doors.

All the options you can select for the standard T40 are also available for the T40-ISO and the A40-ISO.

